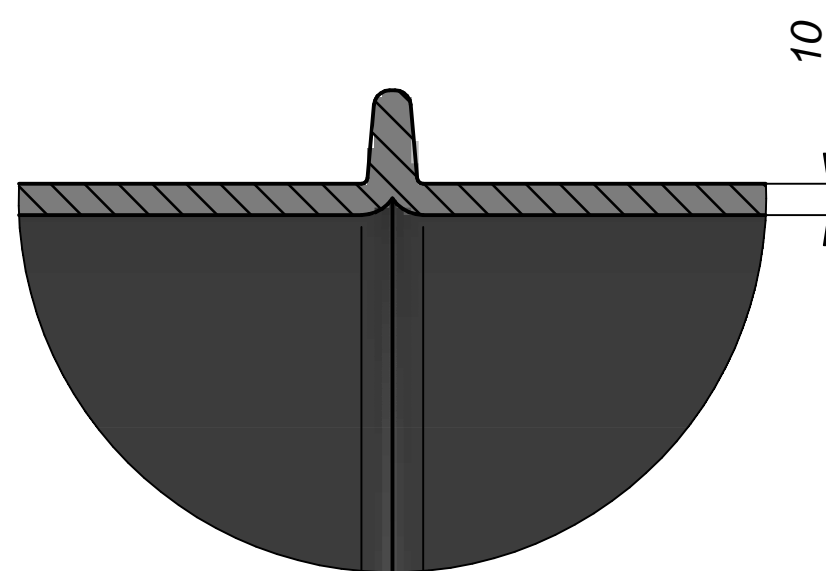
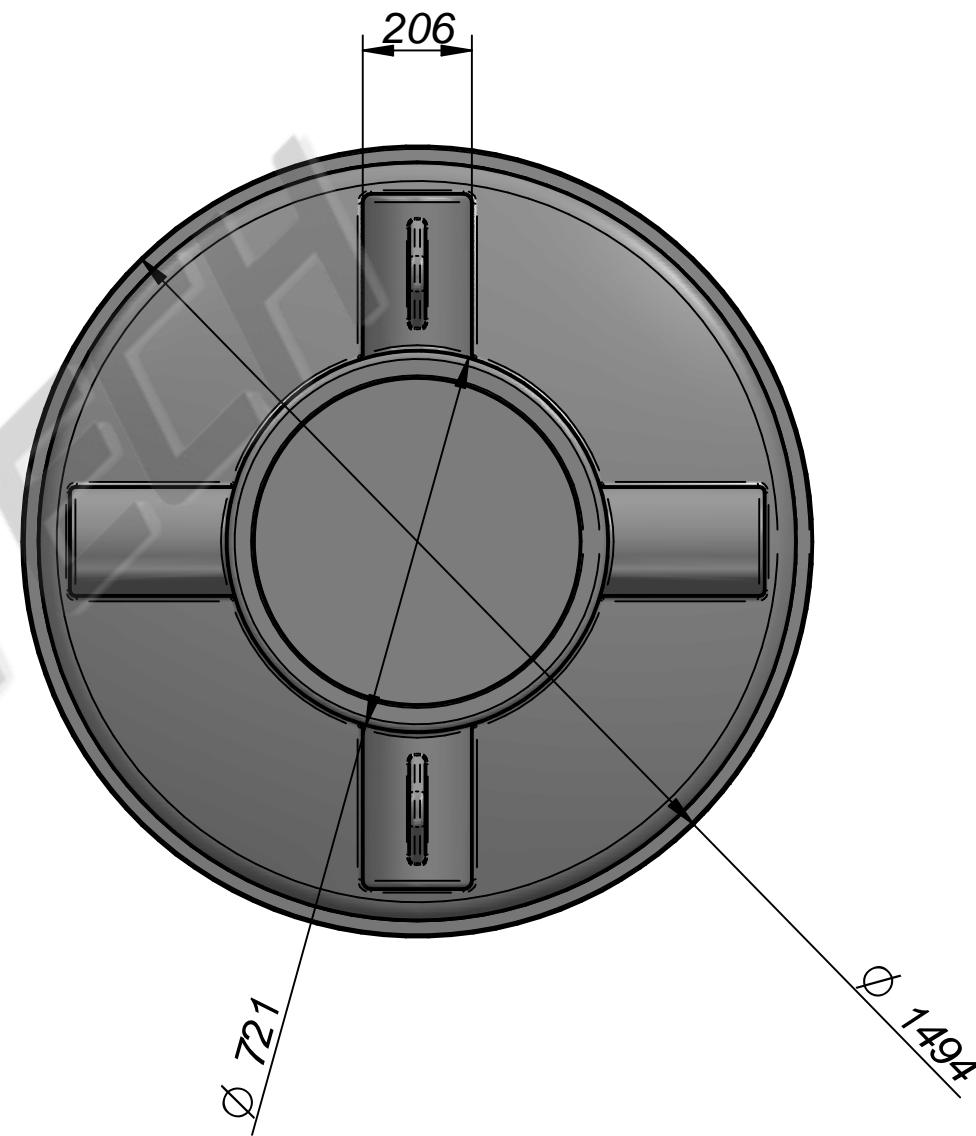


SECTION A-A



DETAIL VIEW B



Weight: 117,04 kg

2500 Vertical Mold